

LED WALL LIGHT

Model: QS-701C-1W



12V
DC Power

1.0
WATTS

80>
CRI

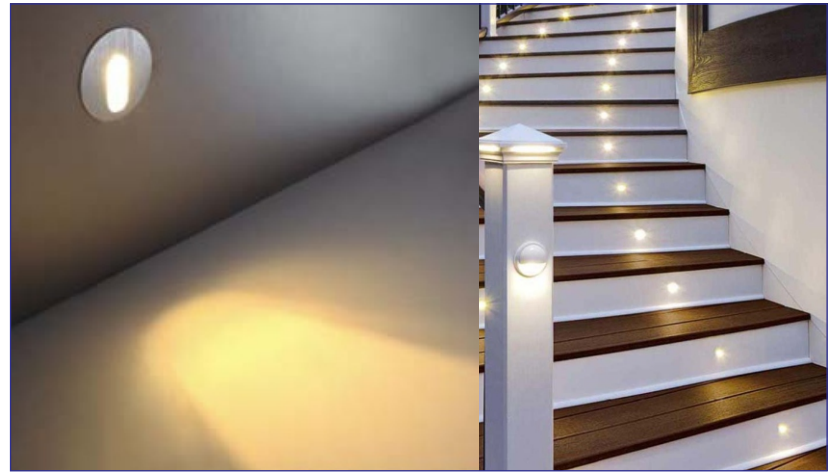


FEATURES & BENEFITS

- Recessed Mounted
- Uniform luminance even lighting
- 45° beam angle
- CRI 80 or better
- 3 Year Limited Warranty
- 50,000+ hr lifetime

APPLICATIONS

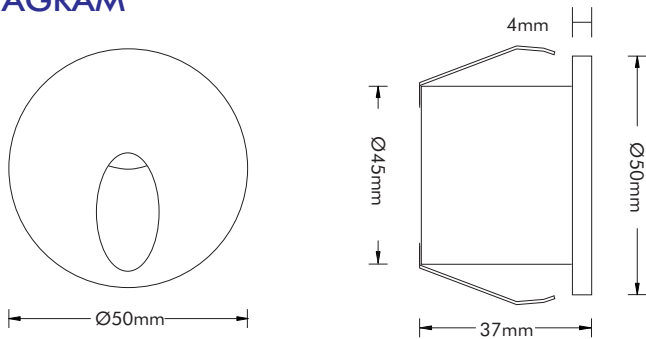
- Stair Lighting
- Wall lighting



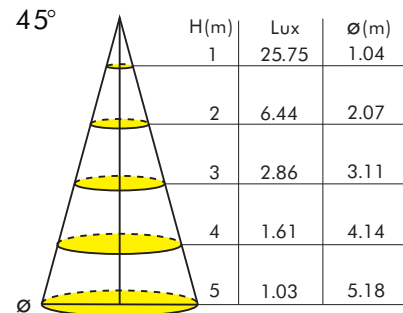
SPECIFICATIONS

Voltage	12 VDC
Watts	1 Watts
Lumens	80 Lumens/W
Color Temperature	3000K
Light Source	1W SMD LED
Size	Ø 50 x H 37 mm (1.96" x 1.45")
CRI	>80
Beam Angle	45°
IP Grade	IP21
Environment	Indoor Use
Lifespan	50,000 hrs
Certifications	ETL
Limited warranty	3 years

DIAGRAM



PHOTOMETRICS



OPTIONAL ACCESSORIES

MD-012-030VTDHV2 Regulated Dimmable Class 2	MD-012-060VTDHV2 Regulated Dimmable Class 2	MD45W12VA Regulated Dimmable Class 2

