

LED FLEX STRIP - EvenBrighter™

Model: FA630M21-XM-24V-COLOR (X = Length 2M / 4M, COLOR = WW:Warm White / NW:Neutral White)



MODEL

FA630M21-XM-24V-X

- COLOR (WW, NW)
- VOLTAGE (24V)
- LENGTH (2 Meters, 4 Meters)
- LED TYPE (2110 SMD)
- LED/METER (630LED/Meter)
- COVER TYPE (Type A, no coating)
- A=IP22 B=IP62 C=IP64
- FLEX STRIP

24V
DC Power

6.6
WATTS
FOOT

90>
CRI

UL US
LISTED
use only with
Class 2 Type
power units

flexible

VIEW ANGLE
120°

25,000+
HOURS

5
Years
Limited Manufacturer
Warranty

TRIMMABLE

DIMMABLE

STATIC ELECTRICITY
CAN DAMAGE
PRODUCT



BENEFITS

- High density, No spotting even lighting
- Dimmable Via optional dimming solutions
- View Angle 120°
- Double sided 3M Tape backing
- Ultra bright surface - mount LEDs
- CRI 90 or better
- Super bright 2110 SMD LEDs, perfect color consistency
- No RF interference
- Long life of LEDs, LM-80 tested LEDs,
- Flexible LED strip lights
- Even lighting, Continuous length
- Can be cut to size at marked intervals (about an inch)
- Available in Warm White (3000K) and Neutral White (4200K)

APPLICATIONS

- Store Fixture shelving
- Architectural accenting
- Backlighting of glass and acrylic
- Corporate showrooms, jewelry showrooms and exhibition displays
- Optional aluminum mounting channel with clear and diffused lens

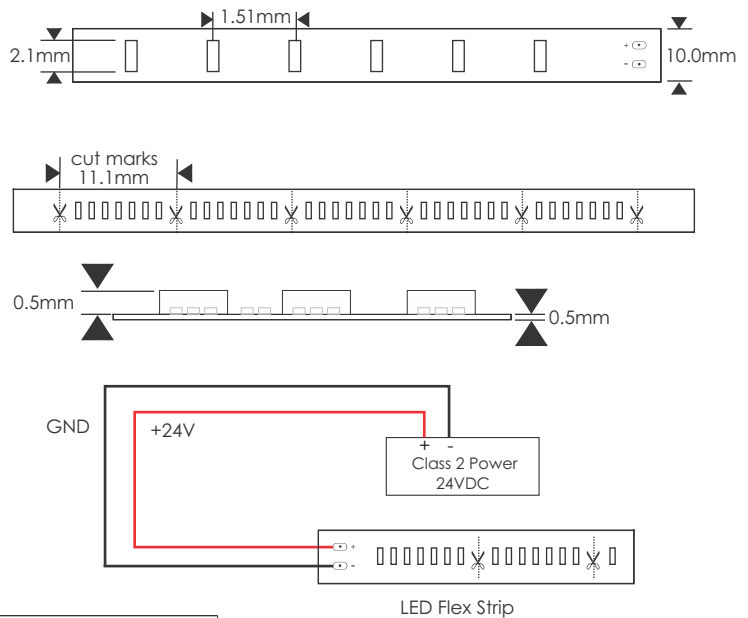
No Spotting

CINCO BRIGHT

590-620 lm/ft

Even Lighting

DIAGRAM



SPECIFICATIONS

Roll Size	2 Meters (6.5 Feet), 4 Meters (13.1 Feet)
Max Voltage	24 VDC (regulated/Class 2)
Watt Foot	6.6 (1.8 Amps/ 2m Roll, 3.6 Amps/ 4m Roll)
Light Source	630 pcs/Meter (39.37") 2110 SMD LED
Dimensions	10(W) x 1.0(H)mm (3/8" x 3/100")
Max Length	2 Meters (6.5 Feet), 4 Meters (13.1 Feet)
View Angle	120°
Brightness	590~620 LM/ft (30.5cm)
Bend Radius	4 inches (100mm) Max, one flat plane
Lamp Life	>25,000 hours (average life)
IP Rating	IP22 Type A
Mount	Smooth Surface/burrows free
Operating Temperature	-25°C ~ +40°C (-13°F ~ 104°F)

OPTIONAL ACCESSORIES

<p>XLD200B-224V-FC (24VDC) One Channel Output-Class 2</p>	<p>SMT-024-096VTH (24VDC) Dimmable Class 2</p>	<p>MD-024-060VT (60W) Dimmable Class 2</p>	<p>Wago Block Connectors (#221-413)</p>
--	---	---	--

