

50W Constant Voltage LED Driver

Model: CVN50L12DC

LED World's Constant Voltage 50W Class 2 LED Driver features UL Listed enclosure. The UL Listed Constant Voltage driver comes in a junction box on both the input and output.



The driver is IP65 rated and suitable for both indoor and outdoor installations. With universal input voltage ranging from 120 to 277VAC, the drivers are designed for commercial, industrial and residential applications.

Features

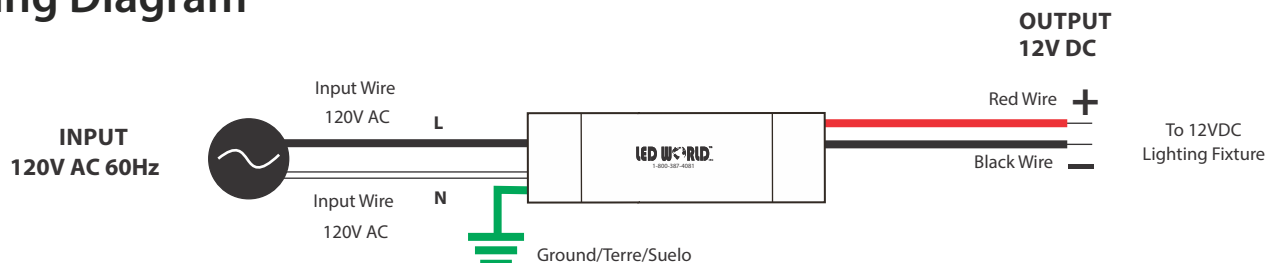
- UL listed enclosure - with built-in junction box
- Universal Input voltage
- Ripple free
- IP65 rated for use in indoor/outdoor applications
- UL 8750 approved
- Class 2
- Auto-Reset protection for short circuit and over temperature
- Over load protection - CC Mode



Specifications

Input		Output	
Input Voltage Range	120 - 277VAC ± 10%	Output Voltage	12VDC
Input Frequency	50 / 60Hz	Output Current	4200mA Max
Input current	0.96A Max	Output Ripple	>3%
Inrush Current	6A Max @ 120V / 23.7A Max @ 277V	Line Regulation	>2%
Efficiency	>80% Max	Load Regulation	>5%
Power Factor	> 0.95	Turn On Delay Time	>0.3 Sec
THD	< 20%		
Environmental		Protections	
Env. Protection Rating	IP65	Over Current Protection	Yes
Operating Ambient temperature	-25°C - +40°C	Over Voltage Protection	Yes
Max Case Temp. (Tcase)	65°C for a 5 year warranty	Over Temperature Protection	Yes; Hiccup mode
EMI Compliance	FCC Part 14 Class A	Over Load Protection	Yes; CC mode
Expected life time	50K Hours (> 65°C) Tc	Short Circuit Protection	Yes; Hiccup mode
Audible Noise	> 24db Class A		

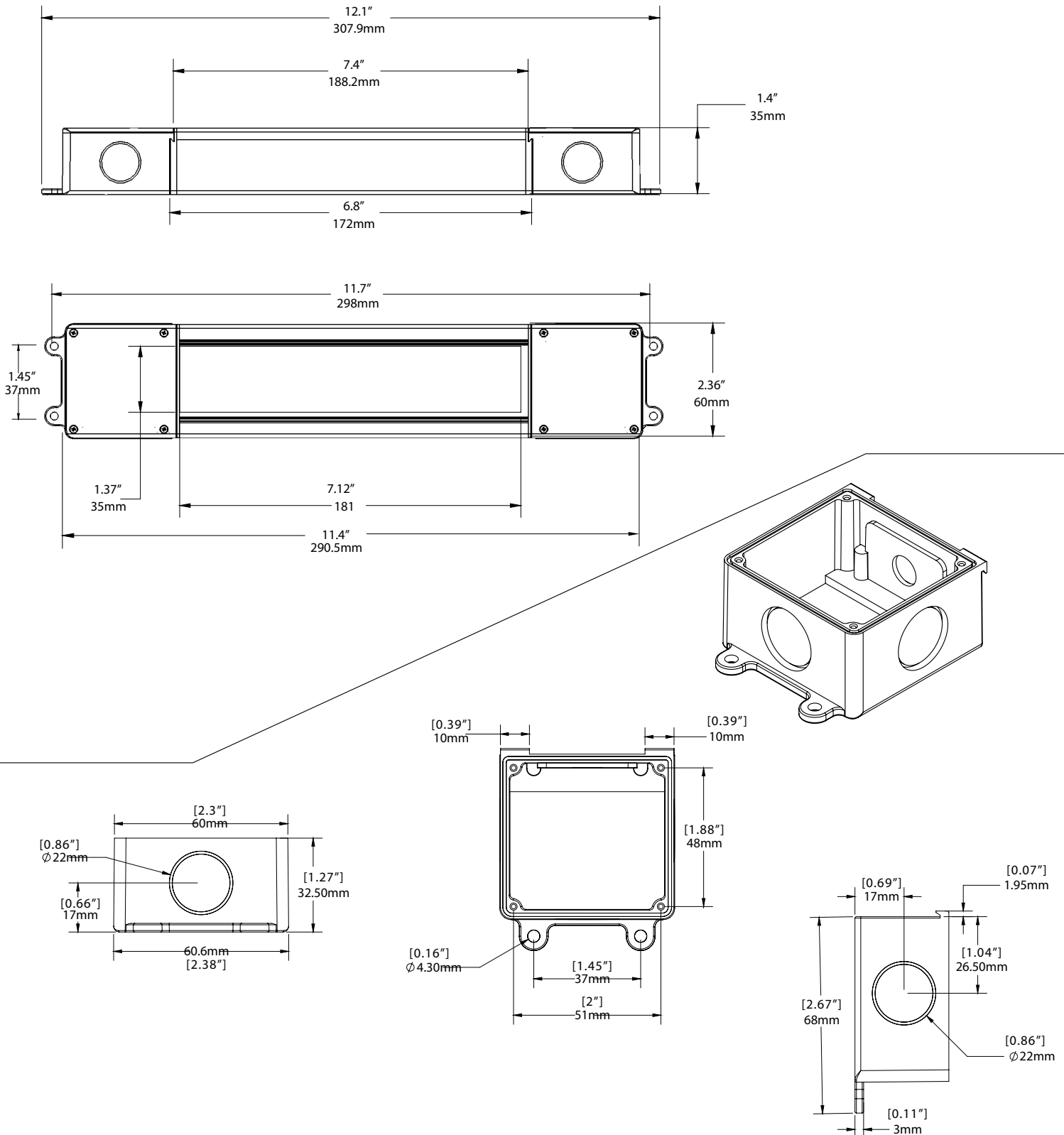
Wiring Diagram



50W Constant Voltage LED Driver

Model: CVN50L12DC

Product Dimensions



Flicker Performance

The IEEE P1789 flicker test results are presented with no observable effect (in green) low-risk (in yellow) and high risk (in red).

Tested with: Acclaim Lighting, Model: FLX592, 96W MAX & 24V Output

