

LED Back Light Modules

Model: STAR-F0325L (COLOR : DW = Day White)



12V DC Power	1.2 WATTS	80+ CRI	SAMSUNG LED 2835
50-150mm	VIEW ANGLE 160°	42,000 HOURS	DIMMABLE

CAL US
use only with
Class 2 Type
power units

RoHS

5 Years
Limited Manufacturer
Warranty

SPECIFICATIONS	
Max Voltage	12 VDC
Wattage	1.2 Watts
Set Length	24.6ft (7.5 meter) / 50 Modules
Watt/Set	60 Watts (50 Modules)
Dimensions	66.3(L) x 15.39(W) x 9.40(H)mm (2.61" x 0.6" x 0.37")
Weight	14g
Housing	PC + ABS Sonic Sealed
LEDs Type	Samsung 2835 SMD LEDs
LED Angle	160°
Lamp Life	42,500 hours estimated average
Color Temperature	5700K (Day White)
Brightness	100 lm/module
Max Modules	50 Modules continuous by wire (18 AWG)
Certifications	CE, RoHS, cRUus, SAM
Max Run	50 Modules, Do not exceed
IP Rating	IP68 (Water Resistant)

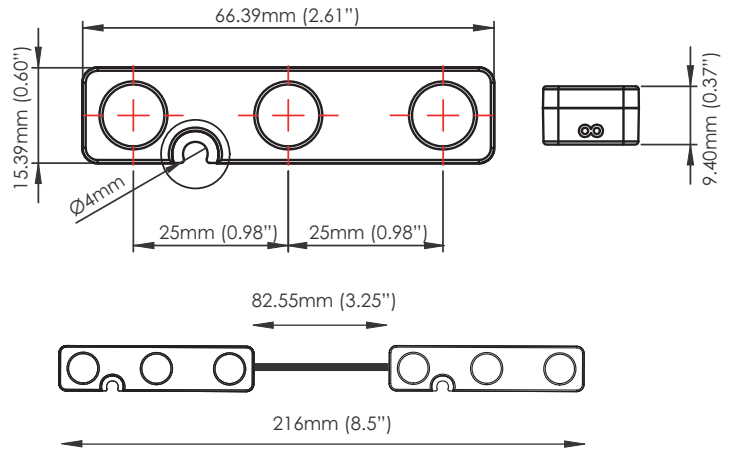
FEATURES

- Lifetime upto 42,500 hours with 70% or better light output
- Outstanding IP68 rating by Ultra Sonic Welding Technology
- IP68 rating prevents water and dust penetration
- Samsung 2835 SMD chip.
- PC+ABS body (less environment effect)
- Listed in SAM's manual
- Made in Korea

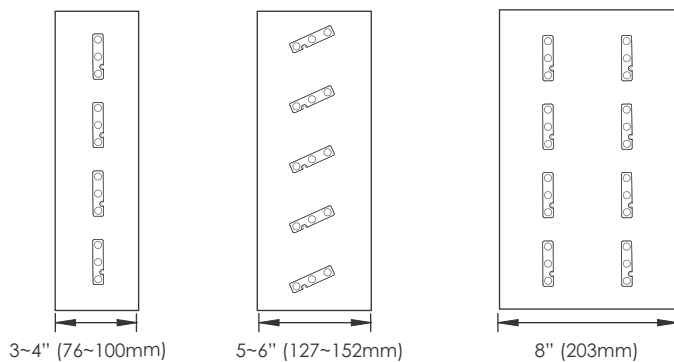
APPLICATIONS

- Concealed Lighting
- Backlighting for Signage Letters
- Channel Letter Lighting
- Cove Lighting
- Field Separable

DIMENSIONS

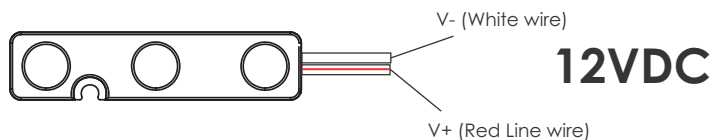


SUGGESTED CHANNEL MODULE SPACING GUIDE

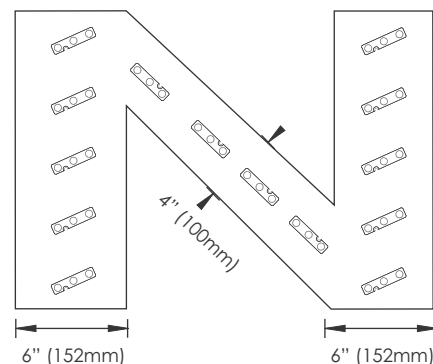


Note: Use 3M double-side tape on the back of LED module or screws to fasten the module on the backing and connect to 12V DC Class 2 power supply.

NOTE:



SUGGESTED LETTER CHANNEL MODULE SPACING GUIDE



POWER SUPPLY	
	45W MD45W12VA Class 2 Dimmable Driver Indoor use only
	75W XLD75B-112V-FC Class 2 Regulated Driver Outdoor use
	200W XLD200B-412V-FC Class 2 Regulated Driver Outdoor use

Caution:

Use only with Class 2 power units. Failure to use listed Class 2 power supplies will void warranty and create a serious hazard.

When using power supplies; the following basic safety features should be verified in:

- Addition to any other application specific Correct output voltage, including consideration for ripple and spikes.
- concerns and local safety codes: Short circuit protection/ Overload protection / Overheat protection. Correct wire gauge / Class 2 type Power supply

NOTE: Pigtail wires at both ends. Terminate wires at one end to prevent crossover and short circuit.