

Before you begin, read all warnings and installation instructions and save for future use.

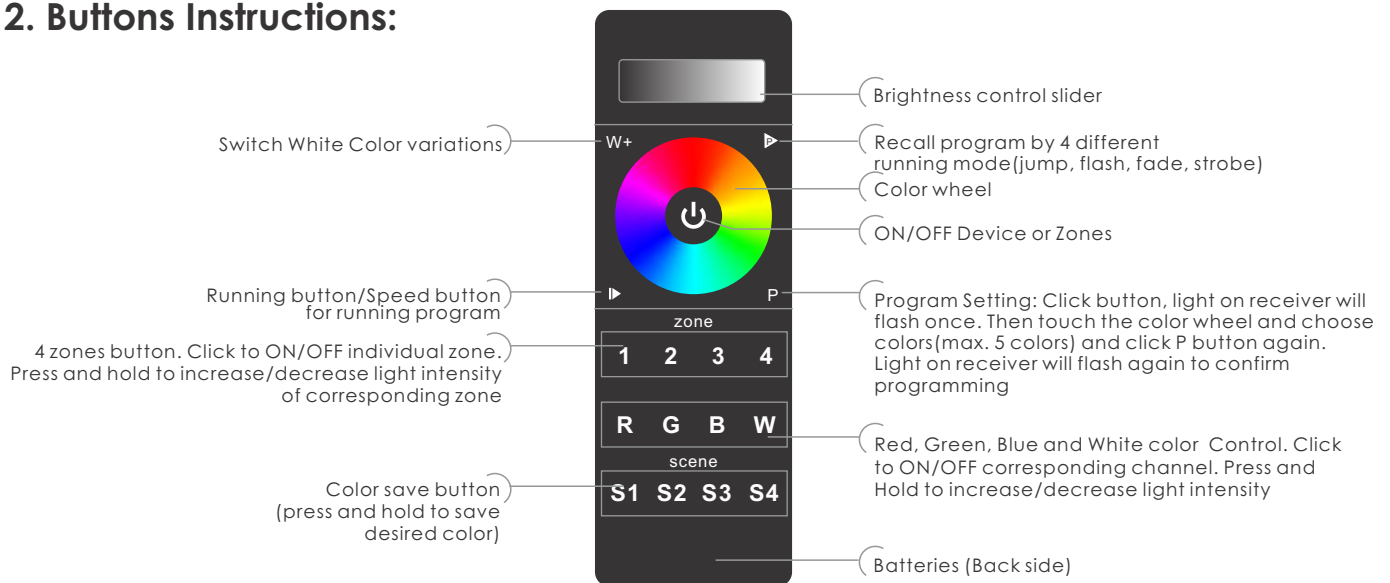


## 1. Product Introduction:

The HUEDA™ RGBW and CCT control handheld remote controller can control 4 different zones wirelessly and has 4 color save buttons. You can choose any color through color wheel. Color can be selected through the color wheel. Requires 3 AAA ALKALINE batteries(not included).

- Four zones/areas
- Easy and User friendly interface
- RGBW and CCT (Single Color LED Strip) Control
- Paired by max 8 different remote controls

## 2. Buttons Instructions:



## 3. Pair/Unpair Guide:

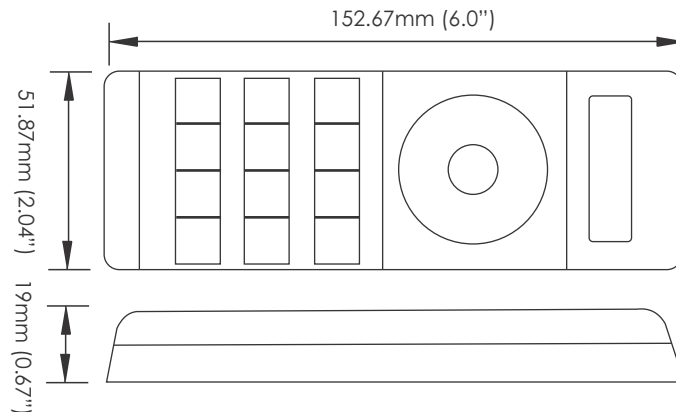
**Pair** : Press the learning button on HUEDA™ RF Receiver, and then on HUEDA™ Remote Controller press the desired zone button and then change the color via color wheel on Remote. Connected LED light will blink that confirms Pairing.

**Unpair** : Press the learning button on HUEDA™ RF Receiver for about 3 seconds, then Connected LED light will blink twice that confirms Unpairing.

## 4. Product Specifications:

Operation Voltage	4.5V DC (3 x AAA battery)
Operation Frequency	434 MHz / 868 MHz / 915 MHz
Output	RF signal
Dimensions	152.67L x 51.87W x 19H mm (6.0 x 2.04 x 0.74 inch)
Transmitting Distance	50ft (15.2m) max (Line of sight, No walls)
Operating Temperature	0°C~40°C (32°F~104°F)

## 5. Product Dimension:



## 6. Operation Single Zone/Multizone



Zone 1



Zone 1

Zone 2

Zone 3

## 7. Compatible HUEDA™ Series Color Controllers



RF RGBW Receiver  
(H-R009PD)



RF RGBW Receiver  
(Outdoor)  
(H-R009FA(W))

## Federal Communications Commission (FCC) Statement

This device complies with part 15 of the FCC rules. Operation is subject to the following two conditions:

1. This device may not cause harmful interference, and
2. This device must accept any interference received, including interference that may cause undesired operation.

**Note:** The manufacturer is not responsible for any radio or tv interference caused by unauthorized modifications to this equipment. Such modifications will void the user's authority to operate the equipment and warranty.

### THREE YEAR LIMITED LIGHTING WARRANTY

LED WORLD INC. warrants this product for three year (some exceptions may apply) from the date of shipping unless otherwise noted in writing. This warranty is expressly in lieu of all other warranties expressed or implied. Under this Limited Warranty, the obligation of the company is limited to replacing on a prorated basis, at its option, any component found to be defective. This Limited Warranty does not apply to damage caused by buyer or alteration to the product or incorrect power supply. Factory warranties are covered by the original manufacturer and claims must be submitted to them. Use only with LED World's regulated class 2 power supply.

LED World Inc. And its providers will never be liable to you or any other person for any indirect, incidental, consequential, special, punitive or exemplary loss or damage arising from, connected with, the purchase of products, including but not limited to loss of data, business, markets, cost of labour, savings, income, profits, use, production, reputation or goodwill, anticipated or otherwise, or economic loss, under any theory of liability (whether in contract, tort, strict liability or any other theory or law or equity), regardless of any negligence or other fault or wrongdoing (including without limitation gross negligence and fundamental breach) by led world inc. Or any person for whom led world inc. Is responsible, and even if led world inc. Has been advised of the possibility of such loss or damage being incurred.

If a product is defective, we will replace the product with similar or identical product or at our option a credit towards a future purchase. To make a claim under this warranty, obtain a return authorization number.