

LED Back Light Modules

Model: ST2-3-X (COLOR : W = Cool White, WW = Warm White)



Caution
Use only with Class 2
type power supply!

FEATURES

- LED Modules are sealed to IP65 Standard
- Peel & stick adhesive back or screw mount
- Double sided 3M Tape backing
- 2835 SMD chip.
- Low voltage, energy efficient, virtually no maintenance. Can be cut between each module (by locally licensed electricians).

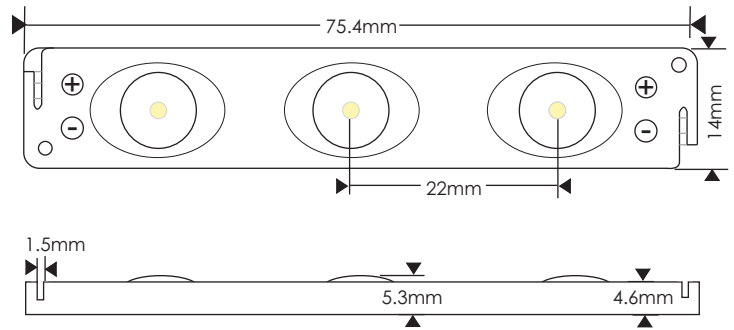
APPLICATIONS

- Concealed Lighting
- Backlighting for Signage Letters
- Channel Letter Lighting
- Cove Lighting
- Field Separable

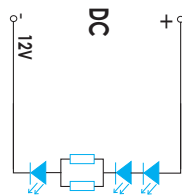
SPECIFICATIONS

| | |
|--------------------------|---|
| Max Voltage | 12 VDC |
| Wattage | 0.72 Watts each module |
| Set Length | 15ft (4.5 meter) / 30 Modules |
| Watt/Set | 21.6 Watts (30 Modules) |
| Dimensions | 75.4(L) x 14(W) x 4.6(H)mm (2.96" x 0.5" x 0.18") |
| Weight | 5g |
| Housing | PVC |
| LEDs Type | 2835 SMD LEDs |
| LED Angle | 160° |
| Lamp Life | 40,000 hours estimated average |
| Color Temperature | 2900~3100K(Warm White), 6000~6100K (Cool White) |
| Brightness | 54lm/module, >=2800K |
| Max Modules | 30 Modules continuous by wire (20 AWG) |
| Certifications | CE, RoHS, cRUus |
| Max Run | 30 Modules, Do not exceed |
| IP Rating | IP65 (Water Resistant) |

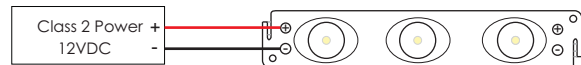
DIMENSIONS



CIRCUIT DIAGRAM



CONNECTION WITH POWER SUPPLY

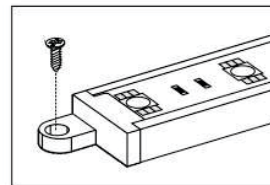


Caution:

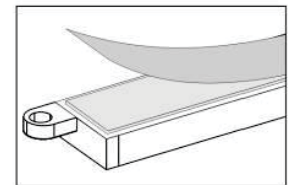
Use only with Class 2 power units. Failure to use listed Class 2 power supplies will void warranty and create a serious hazard.

When using power supplies; the following basic safety features should be verified in addition to any other application specific concerns and local safety codes:
Short circuit protection / Overload protection / Overheat protection.
Correct output voltage, including consideration for ripple and spikes.
Correct wire gauge / Class 2 type Power supply

NOTE: Pigtail wires at both ends. Terminate wires at one end to prevent crossover and short circuit.



1. Use the screws to fasten



2. Please rip 3M adhesive tape on the back of the product, then stick to the objects where you want