



0-10V Wireless Dimmer

E3X-D01FP (0-10V w/ ON/OFF Control & Sensor Input)

The 0-10V Wireless Dimmer responds to wireless light switches and transmitters to control dimmable LED power supplies, dimmable fluorescent ballasts, or actuators.

The dimmer can also turn off or dim lights based on signals from wireless or wired sensors detecting occupancy or available natural light.

Easy-To-Use

- Installs in minutes
- Easy configuration
- Requires no switch leg wires
- Variable or ON/OFF control of LEDs, fluorescent lights, or actuators.

Reliable Range

- 50-150 foot range (typical)
- Compatible with all ILLUMRA switches
- Error checking ensures response only to configured wireless switches
- A single transmitter can control unlimited 0-10V Dimmers in range
- Can function as a repeater

Save Energy, Time, and Money

Avoid costly and time-consuming installation of hardwired switches. Conserve energy and save money by choosing ILLUMRA.



Ultra Smooth Wireless Dimming

- Dimmable fluorescent ballast control
- Dimmable LED power supply control
- Manual ON/OFF automatic OFF controls

Dimming Control The Way You Want It

Control the ILLUMRA 0-10V Dimmer with a variety of devices:

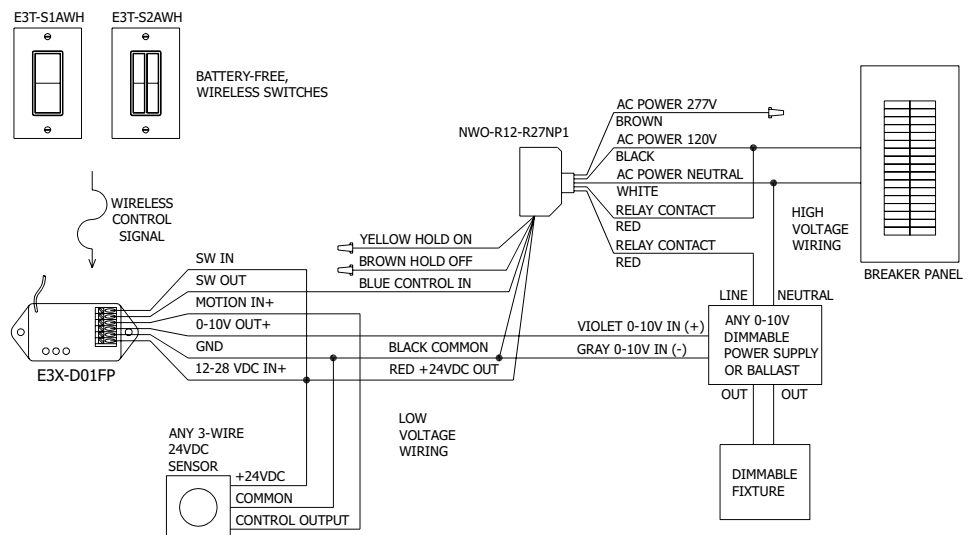
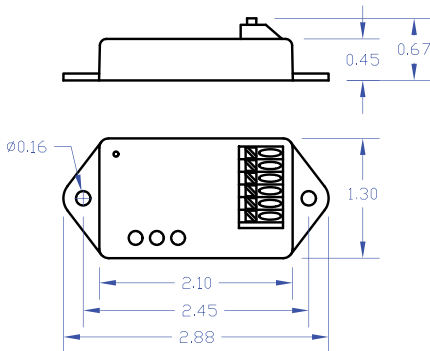
- Self-powered wireless light switches
- Wireless light sensors
- Wireless or wired occupancy sensors
- More

	E3X-D0FP
Range	50-150 feet (typical)
Frequency	315 MHz
Power Supply Input Rating	12-28V
Sensor Input Rating	0-28VDC, <1V is Low, >3V is High
Output Rating, 0-0V Output	4mA
Output Rating, Switched Output	5A DC, isolated, 30 VDC max
Input Channels	1 motion detector / sensor input
Output Channels	1 output 0-10V, 1 switch output
Operating Temperature	13° to +140°F (-25° to +60°C)
Storage Temperature	-40° to +140°F (-40° to +60°C)
Dimensions (enclosure)	2.88" (W) x 1.30" (H) x 0.67" (D) 7.32cm x 3.30 cm x 1.70 cm
Radio Certification	FCC (United States): SZV-TCM2XXC IC (Canada): 5713A-TCMXXC

Network Diagram

ILLUMRA
0-10V DIMMER WITH ON/OFF CONTROL AND SENSOR INPUT

ALWAYS INSTALL DEVICES IN ACCORDANCE WITH
LOCAL ELECTRICAL CODES AND REGULATIONS



1-800-387-4081

This device or certain aspects thereof is protected by at least one U.S. or international patent or has at least one such patent application pending.



AHD0210C

ILLUMRA is a trademark of Ad Hoc Electronics, L.L.C. Other trademarks herein are the property of their respective owners.