

**Before you begin, read all warnings and installation instructions.**

### Safety & Warnings

- Securely mount the Hueda™ Controller
- This product is intended to be installed and serviced by a qualified licensed electrician. Install in accordance with the National Electric Code, and local regulations. **Only power with a regulated (listed) constant voltage Class 2 power supply (12-24V DC Max). Failure to use a Class 2 power supply may cause fire or serious injury and will void the limited warranty. Never use this product with dimmable or magnetic dimmable power source(driver)**
- Ensure applicable wire is installed between driver, fixture and any controls in between. When choosing wire, factor in voltage drop, amperage rating and type (in-wall rated, Plenum rated, wet location rated, etc.). Inadequate wire installation could overheat wires and cause fire.
- This product is rated for indoor installation and only for dry locations. Do not install in washrooms or areas near water (or the possibility of in the future).
- Do not modify this product beyond the instructions in this guide or the limited warranty will be voided.
- Wiring diagrams in this installation guide for basic installations. Please carefully review your installation before proceeding with a qualified electrician familiar with low voltage wiring.
- **Never install the HUEDA™ Controller in with other high voltage Junction Box as there is a risk of shock hazard! National Electric Code requires electrical conductors to be separated by a barrier within the box or in a separate box!. Install only in the provide Junction box.**

### IMPORTANT NOTE

Install Hueda DMX controller in a separate box rated for Low voltage use. NEC codes requires conductors shall not be placed in any raceway, compartment, outlet box, junction box, or similar fitting with conductors of electric light or power.

### Wire Ends:

- **WIRE 6-8MM (0.25-0.30")**  
Exposed wire should not be more than 6- 8 mm long & solder tip (tinned). Do not allow Wires to cross and insure all exposed wire is fully inserted into the screw terminals. Hand tighten screw terminals. Use 24 to 18 AWG gauge wire for output terminals.

### Included Items in Box

- CAT5 Wire
- Instructions

### Remote Operation

- The DMX controller can also be con also be controlled remotely via wi-fi with a compatible ios/Android tablet or mobile device using our application "HUEDA".
- Please see our HUEDA™ web page for application instructions.

<http://www.ledworldlighting.com/product/dmx-color-controllers/hueda-led-controller/>



## Operation Overview

### RGBW Control

Press to turn ON/OFF Red, Green, Blue and White color  
Long press to adjust brightness of individual color

### Power

Press to turn ON/OFF device

### Brightness Control

Long press to increase/decrease brightness

### Zone Control

Press to select/deselect zones 1-3



### Color Wheel

Scroll through to find specific color.

### Three Choices of White

Press to cycle through the choices of white

### Dynamic Modes

Long press adjusts speed of dynamic color changing mode.

## Installation Overview

Install in accordance with the NEC and local regulations.

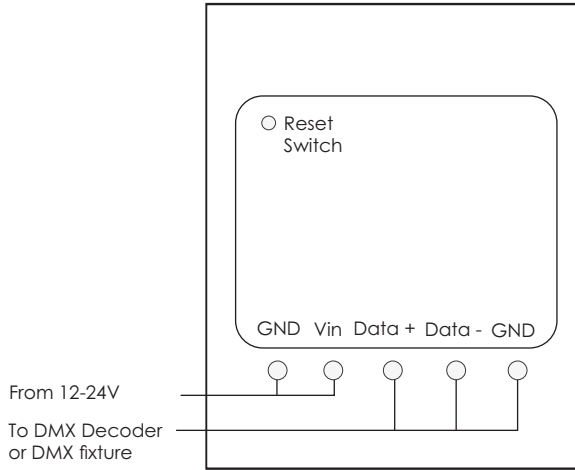
- Turn power OFF at main circuit breaker and verify the power is off.
- Determine an accessible location for a compatible low voltage driver to be installed between the main breaker and DMX controller. Determine a location to install additional accessories such as DMX decoders, fixtures etc. Ensure applicable wire is installed between all components. When choosing wire, factor in voltage drop, amp rating and type to prevent fire or electric shock.
- Remove the existing wall plate and switch. Pull switch from identify wires and disconnect from switch.
- Remove existing switch box from wall and install the included DMX controller switch box. Additional tools may be required to fit DMX controller switch box in the wall.
- Make wiring connections. See 'Wiring Connections' and 'Mounting Diagram' for additional information.
- Replace wiring back into switch box. Mount and align DMX decoders/fixtures. See 'Setting the DMX Address'.

## Setting the DMX Address

Please refer DMX Receiver instructions for setting the DMX address

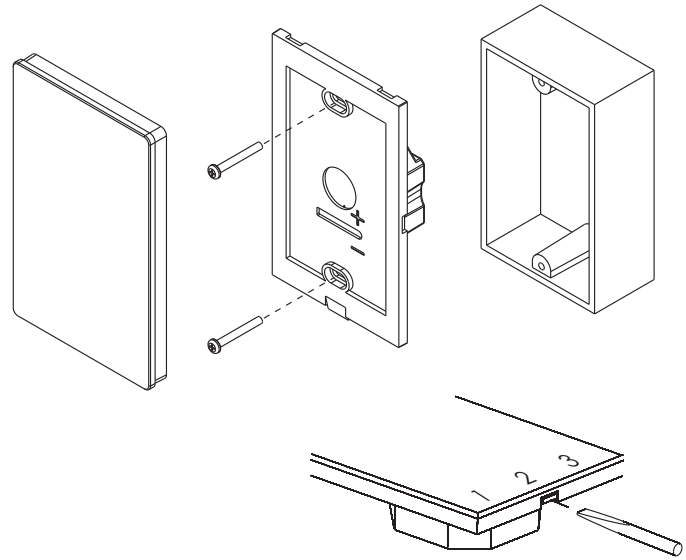
### Wiring Connections

DO NOT connect directly to 120VAC.  
See 'System Diagram for a general system design.



### Mounting

Install with the included DMX controller wall box.



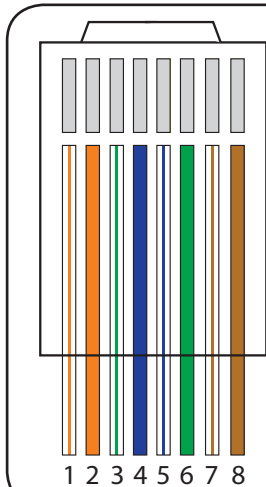
Pop off faceplate with a flathead screwdriver

**WARNING!!!** Never install the HUEDA™ Controller in with other high voltage Junction Box as there is a risk of shock hazard! National Electric Code requires electrical conductors to be separated by a barrier within the box or in a separate box!. Install only in the provide Junction box

### Pinout Connection Guide

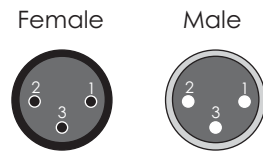
The following diagrams/tables indicate the appropriate connections for patching your own CAT5/RJ45, and XLR-3 splice cables. These diagrams are for general reference and may slightly differ between different cable manufacturers.

RJ45 568B Connection Pinout



RJ45 568B Pinout Table		
Pin No.	Wire Color	Function
1	White/Orange	Data +
2	Orange	Data -
3	White/Green	None
4	Blue	None
5	White/Blue	None
6	Green	None
7	White/Brown	May be used as 2nd ground
8	Brown	Ground

XLR-3 Connection Pinout



XLR-3 Pinout Table	
Pin No.	Function
1	Ground
2	Data -
3	Data +

## Dynamic Mode Chart



The Dynamic Mode tool plays factory-programmed scenes. Choose up to 10 different scenes. Short press switches/pauses the mode. Long press adjusts speed of the dynamic mode

Mode	Description
1	Full Color Fade #1
2	Reverse Rainbow Fade
3	Random Full Color Fade
4	7 Color Jump
5	RGB Fade In / Fade Out
6	RGB Fade In to Off
7	RGB On to Fade Out
8	RGB Jump
9	Full Color Fade #2
10	Pastel Color Fade In / Fade Out

## Troubleshooting

For thorough troubleshooting of LED strip light and fixtures, see LED fixture installation guides.

### LED fixtures not responding to touch

- Ensure the blue indicator light is on by pressing 'Power Button'.
- Ensure the appropriate zone number was pressed prior to controlling the DMX decoder/fixture. For example, if you know the fixture is addressed to zone 1, press 1 prior to controlling.
- Ensure the individual zone has not been turned off. Pressing zones 1-3 will turn the specific zone ON/OFF. Additionally, long pressing R, G, B, W will increase/decrease individual brightness and tapping will turn R, G, B, W ON/OFF.
- Ensure the DMX decoder/fixture is addressed properly. For example, address '001' will respond to zone 1 of the controller.

See 'Setting the DMX Address' on page-2 for additional addressing information.

### LED fixture responding incorrectly

Ensure all wiring connections are correct. Reversing the Data + and Data - will cause lights to flicker and not respond to controller.

- Power connections of all components (drivers, DMX decoders/fixtures, DMX controller).
- DMX Data connections -see 'Pinout Connection Guide' and 'System Diagram' for RJ45 hard-wiring connections.
- DMX decoder PWM output connections -see 'System Wiring Diagram for CH 1-4 connections

## Scan QR code to download HUEDA™ Application

Download  
EasyLighting EasyLife App  
From  
Google Play Store



Download  
HUEDA App  
From  
IOS App Store



## Federal Communications Commission (FCC) Statement

This device complies with part 15 of the FCC rules. Operation is subject to the following two conditions:

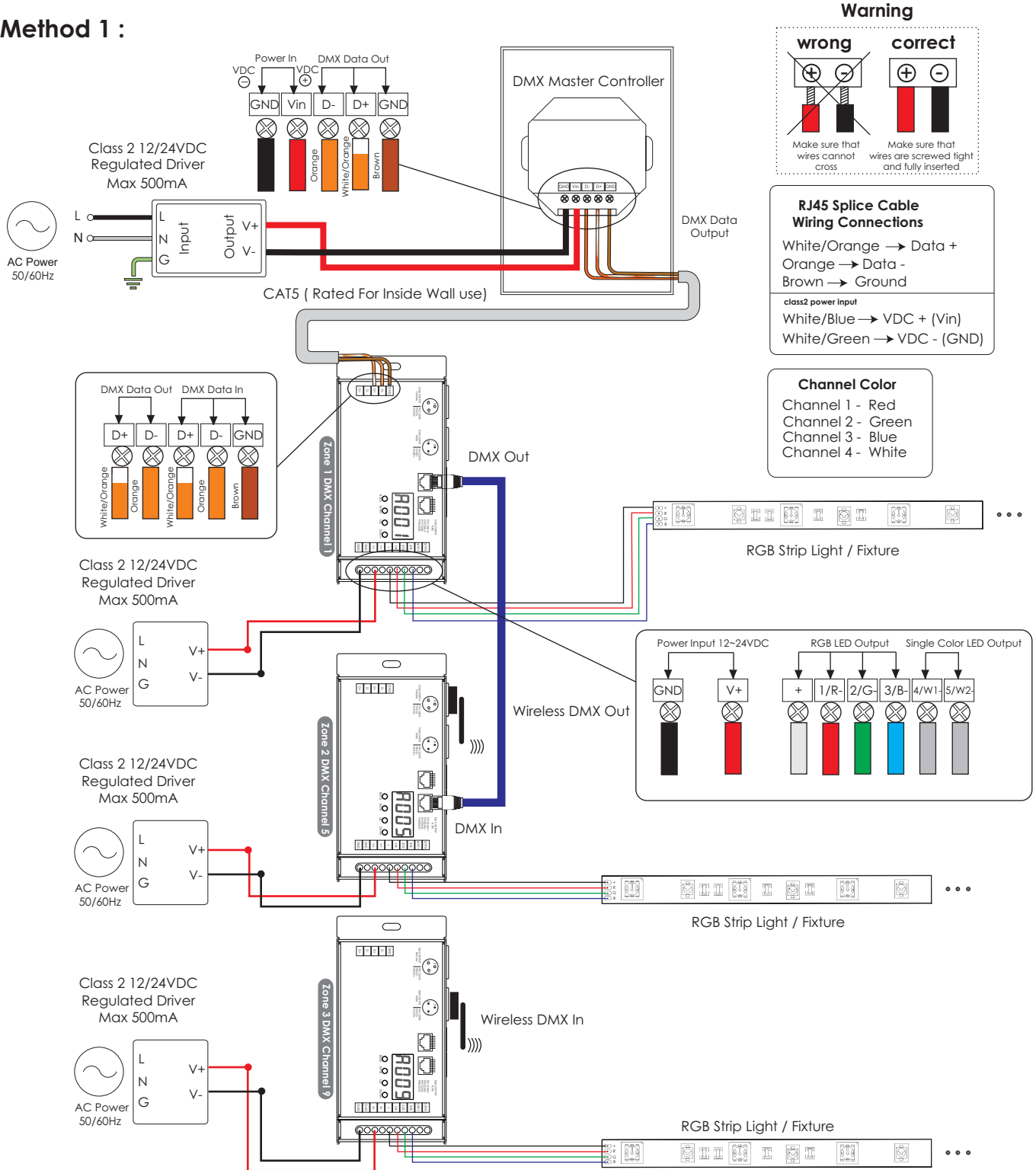
- This device may not cause harmful interference, and
- This device must accept any interference received, including interference that may cause undesired operation.

Note: The manufacturer is not responsible for any radio or tv interference caused by unauthorized modifications to this equipment. Such modifications will void the user's authority to operate the equipment and warranty.

# System Wiring Diagram

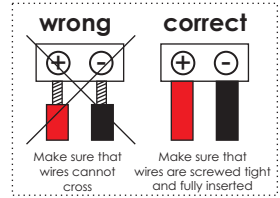
The following wiring diagram is as an example system connectivity. CAT5 (RJ45 connections) cables are the most effective solution for transmitting DMX-512 signals. XLR-3 cables may also be installed but require an additional adapter for connecting to DMX decoders (LT-840). With DMX decoders like LT-840, it is possible to transmit signal wireless with use of LC-512X wireless sticks. Always review each component's installation guide for detailed and up-to-date wiring instructions. Install in accordance with NEC and local regulations.

## Method 1 :



**Method 2 :**

**Warning**



**RJ45 Splice Cable Wiring Connections**

White/Orange → Data +  
 Orange → Data -  
 Brown → Ground

class2 power input  
 White/Blue → VDC + (Vin)  
 White/Green → VDC - (GND)

**Channel Color**

Channel 1 - Red  
 Channel 2 - Green  
 Channel 3 - Blue  
 Channel 4 - White

